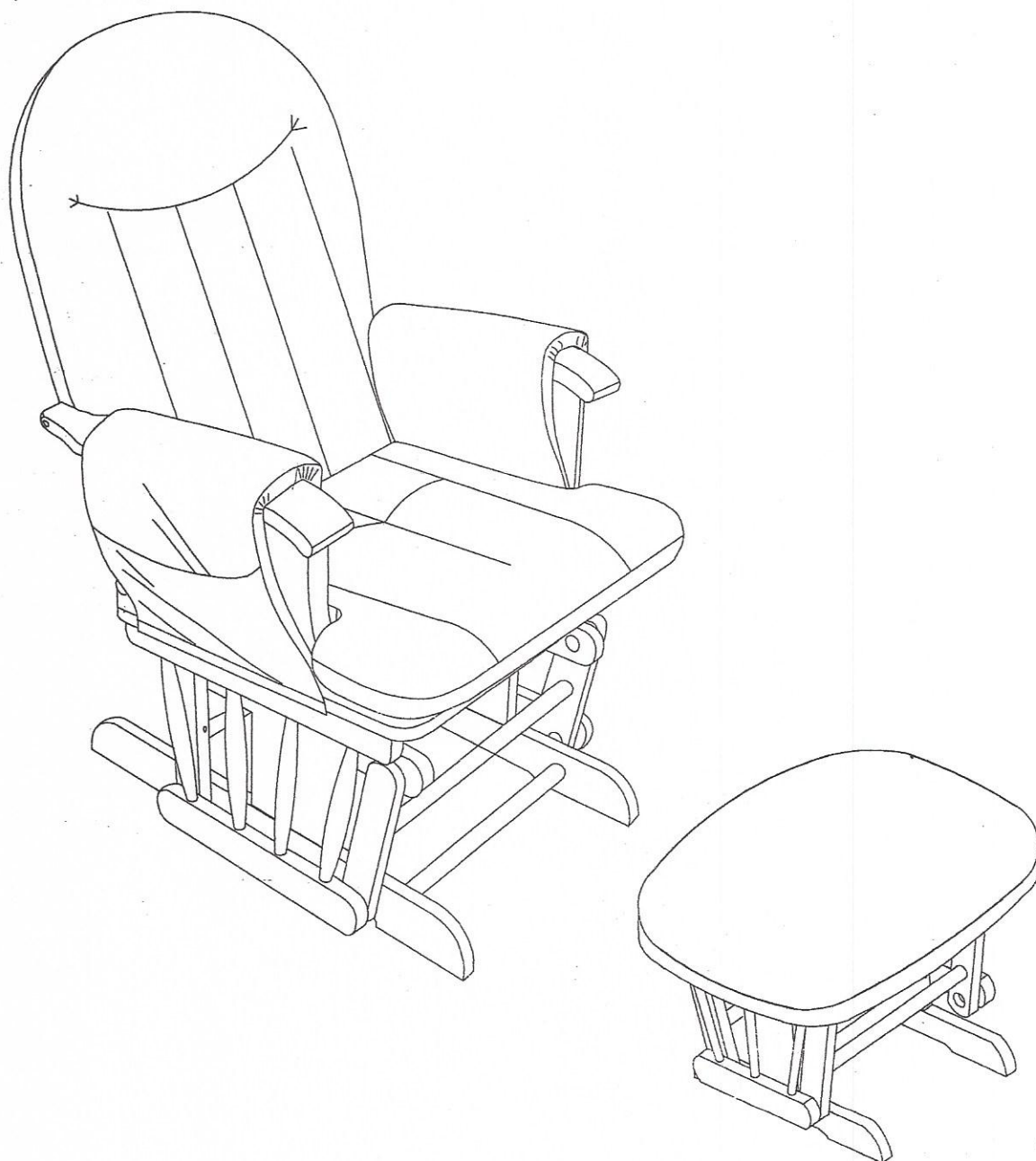


Code: 211935

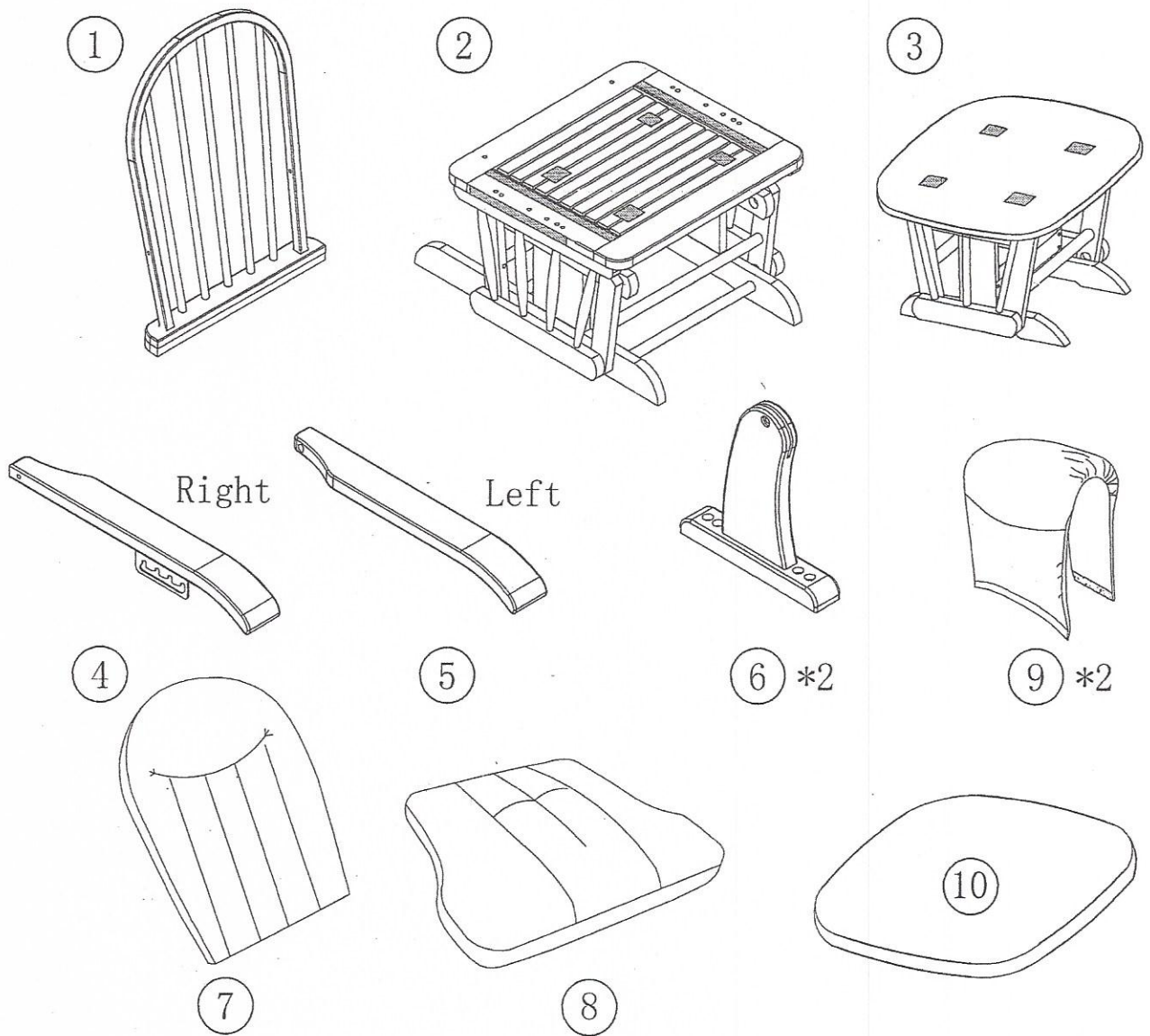
DAISY MULTI POSITION GLIDER CHAIR&STOOL

Assembly Instruction

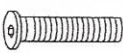


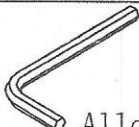
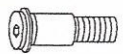
t u t t i
Bambini



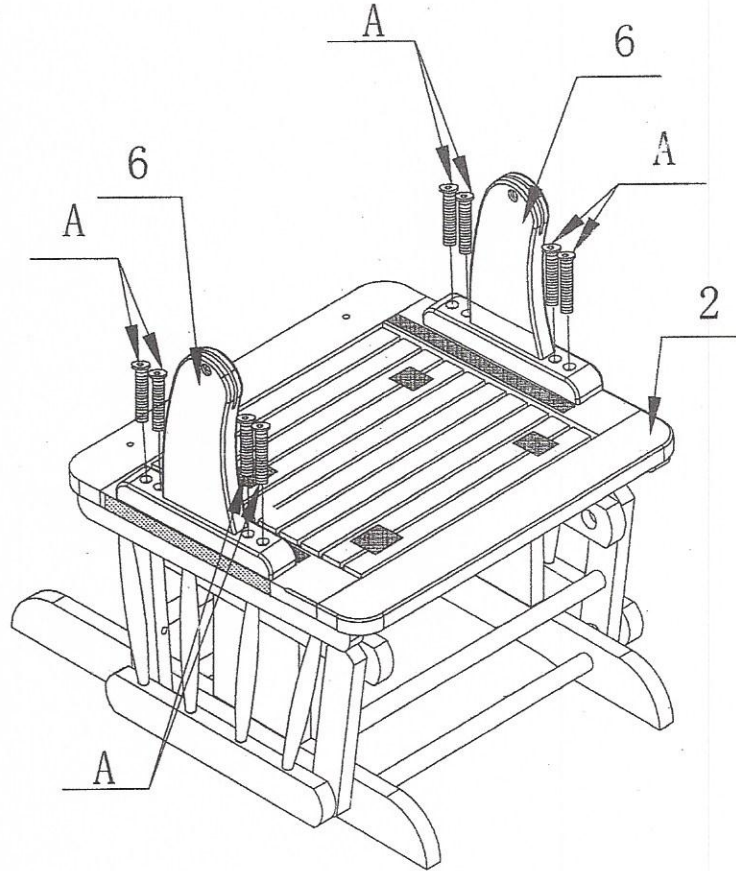
Parts List



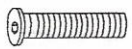
Hardware List

ID# A	 M6*30mm Middle Screw	Qty 12 pcs	ID# D	 Wood Covers	Qty 10 pcs
ID# B	 M6 Nut	Qty 2 pcs	ID# E	 Allen Wrench	Qty 1 pc
ID# C	 M6*25mm MIDDLE SCREW +FLAT WASHER +RUBBER PIPE	Qty 2 pcs			

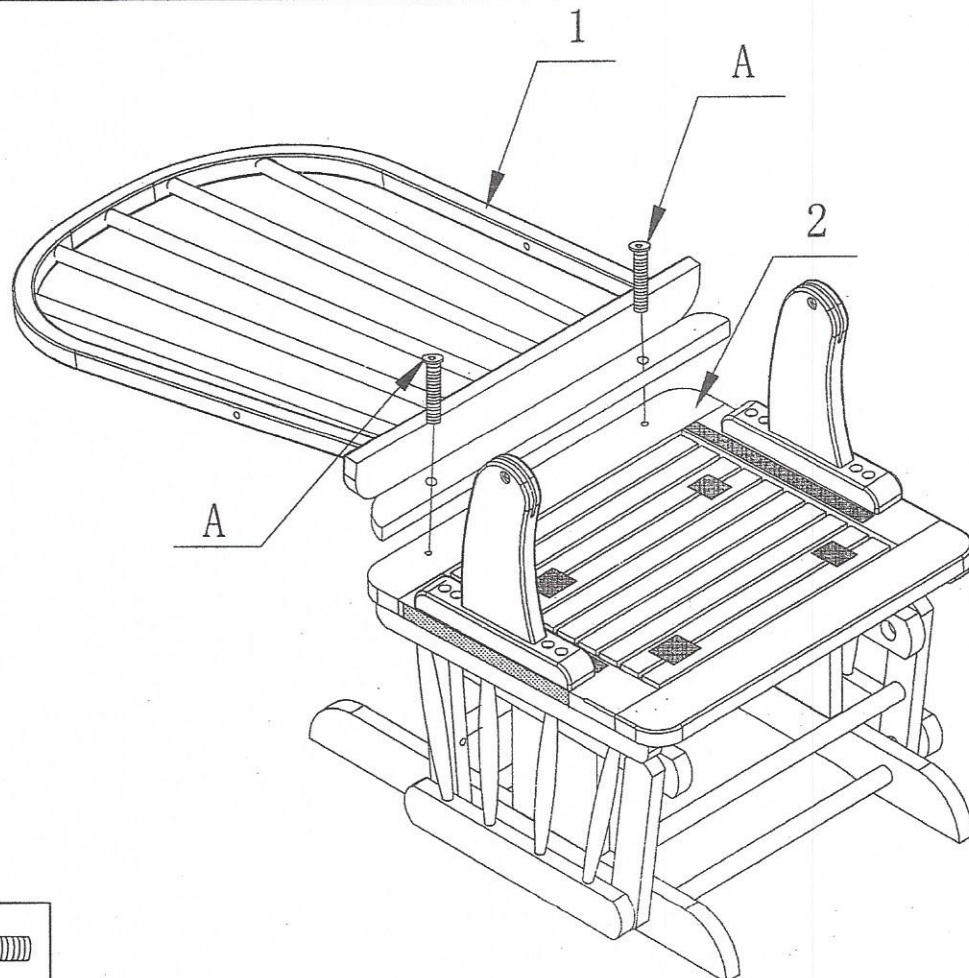
Step 1



A*8



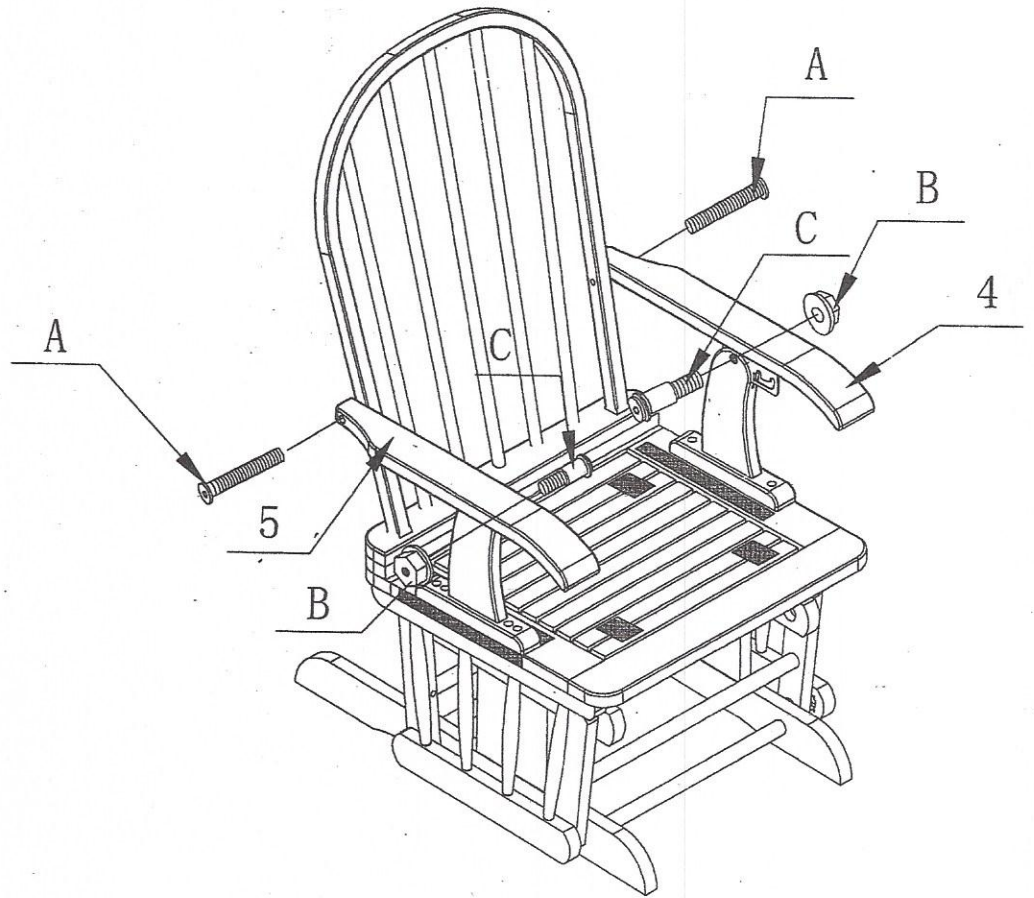
Step 2

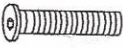
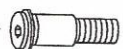



A*2

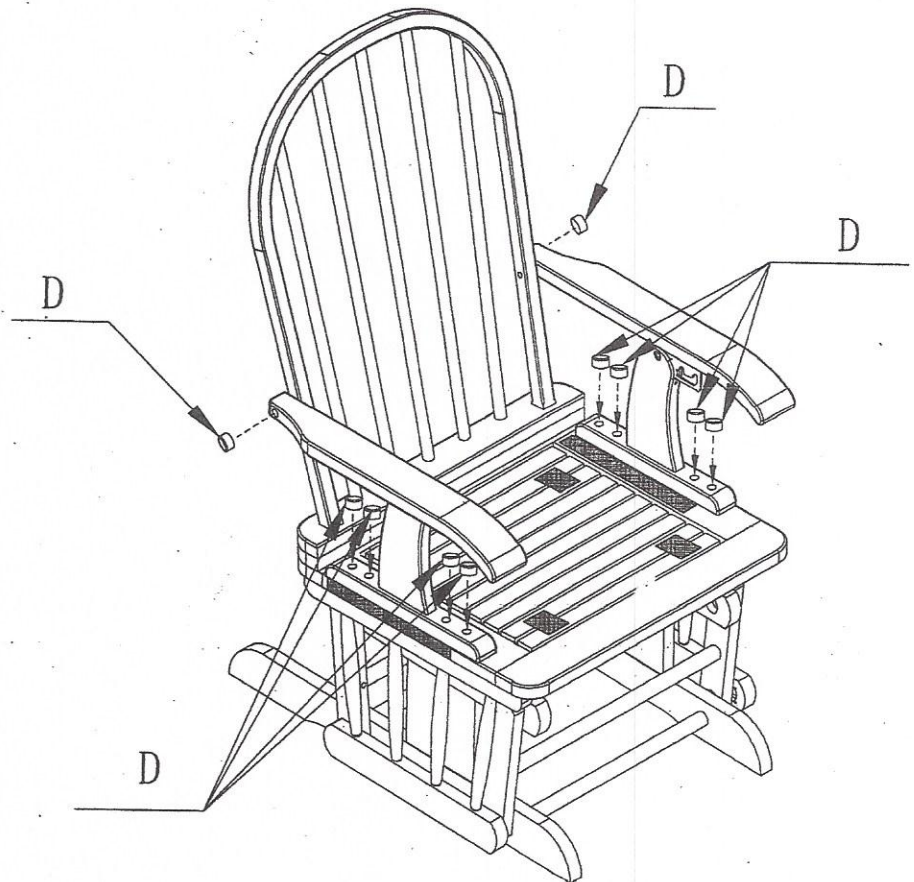



Step 3



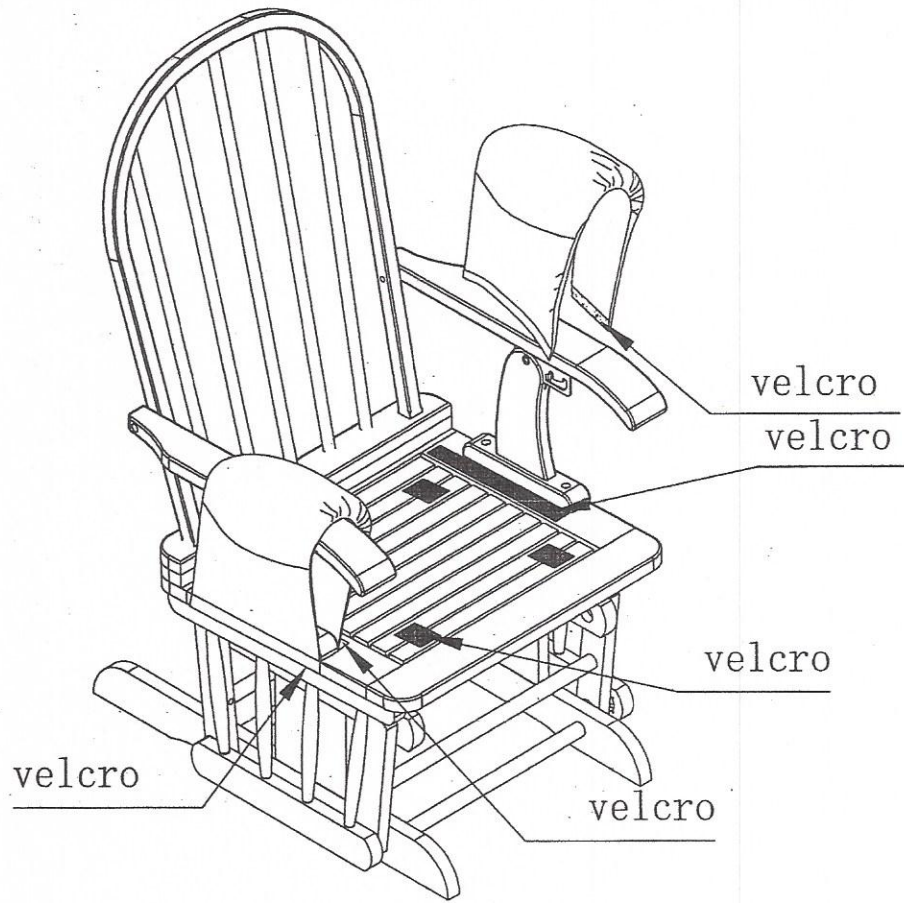
A*2	
C*2	
B*2	

Step 4

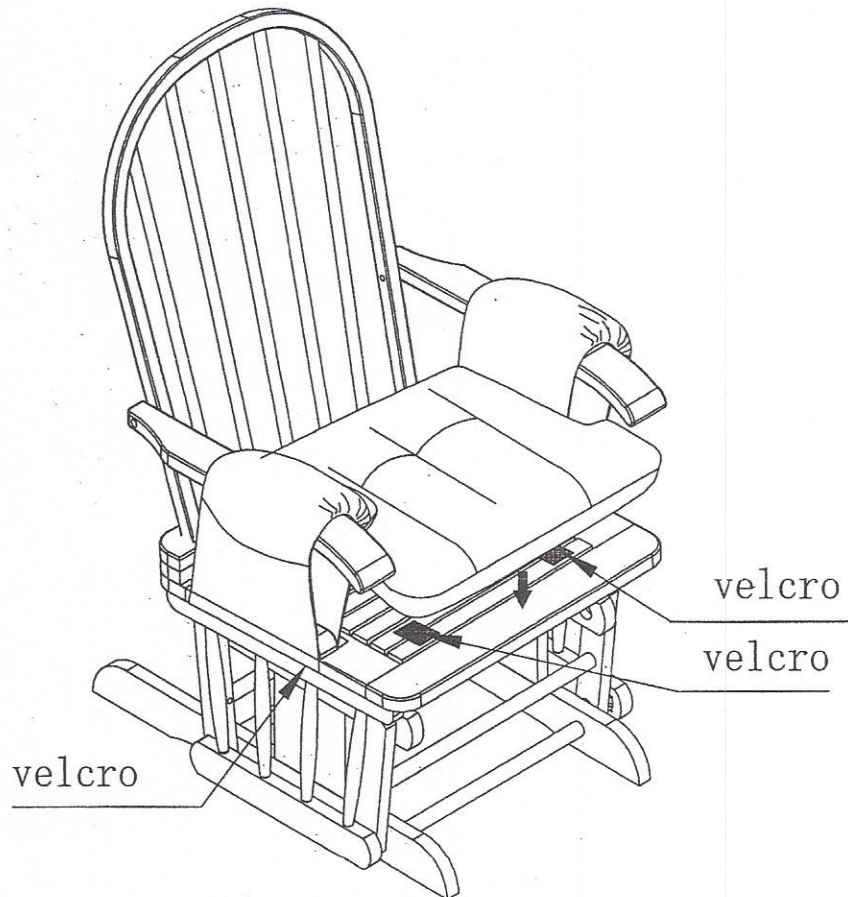


D*10	
------	---

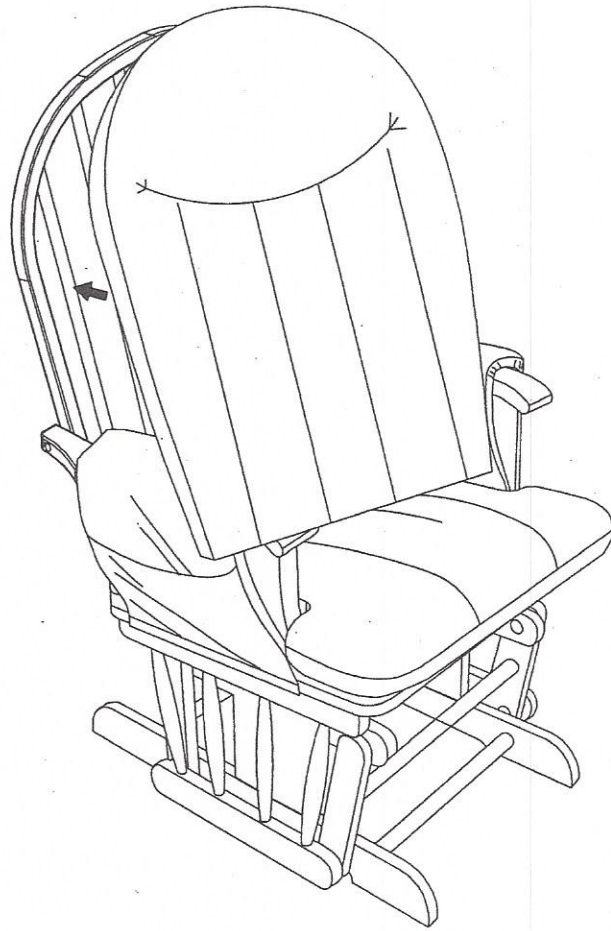
Step 5



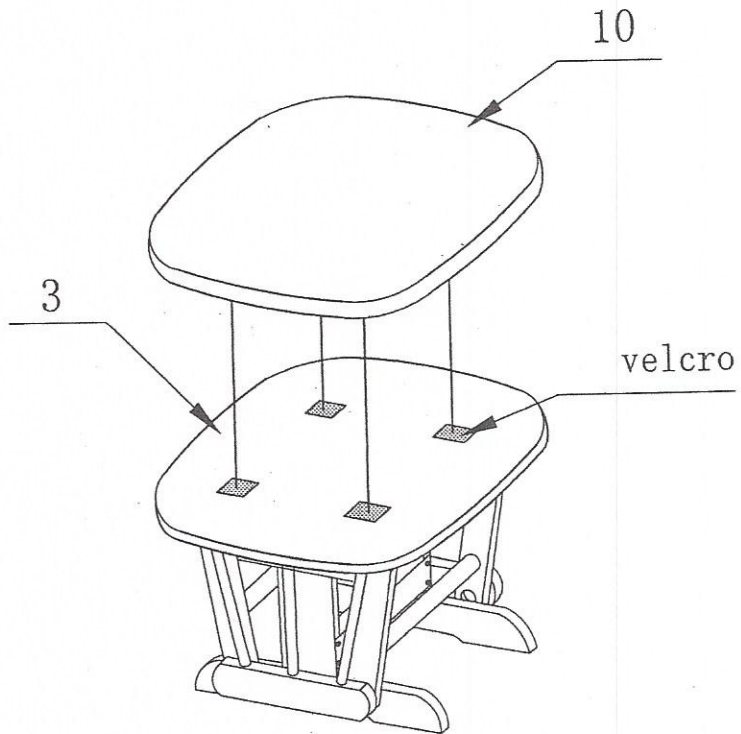
Step 6



Step 7



Step 8



D*1

Achieve 4 Positions by Pulling the Armrest up

