

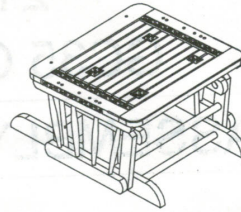
# PARTS LIST

1



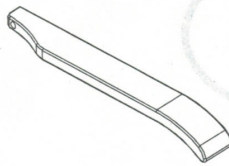
**BACK FRAME 1PC**

2



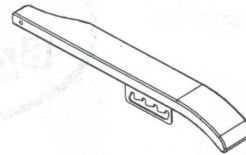
**SEAT FRAME 1PC**

3R



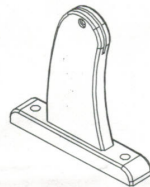
**RIGHT ARMREST 1PC**

3L



**LEFT ARMREST 1PC**

4



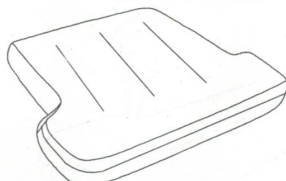
**CONNECT BOARD 2PCS**

5



**BACK CUSHION 1PC**

6



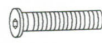






**SEAT CUSHION 1PC**

7

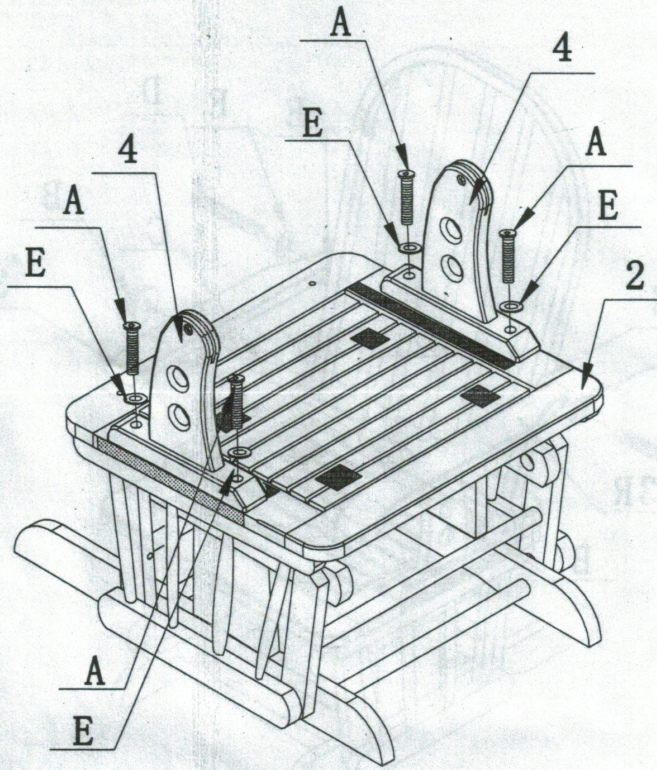


**ARMREST CUSHION 2PCS**

## HARDWARE

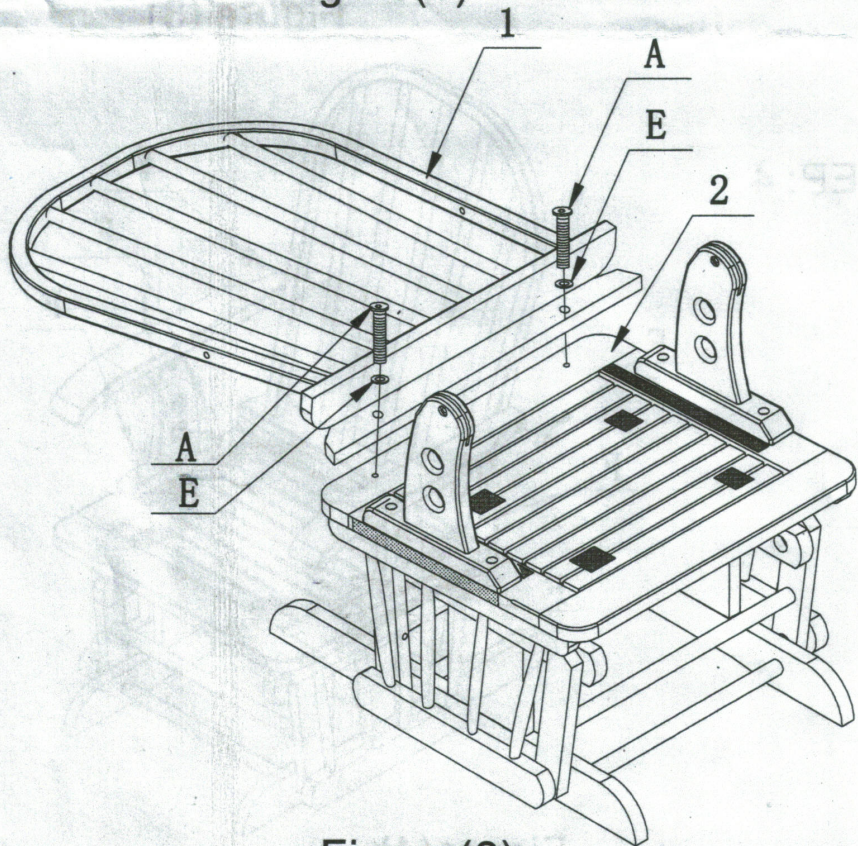
<b>A</b> MIDDLE SCREW 6PCS	<b>B</b> NUT 2PCS	<b>C</b> MIDDLE SCREW +FLAT WASHER +RUBBER PIPE 2PCS	<b>D</b> LONG SCREW 2PCS
 M6*30		 M6*25	 M6*45
<b>E</b> FLAT WASHER 10PCS	<b>F</b> STOPPER 6PCS	<b>G</b> ALLEN WRENCH 1PC	<b>H</b>
			

STEP: 1



Figure(1)

STEP: 2



Figure(2)

STEP: 3

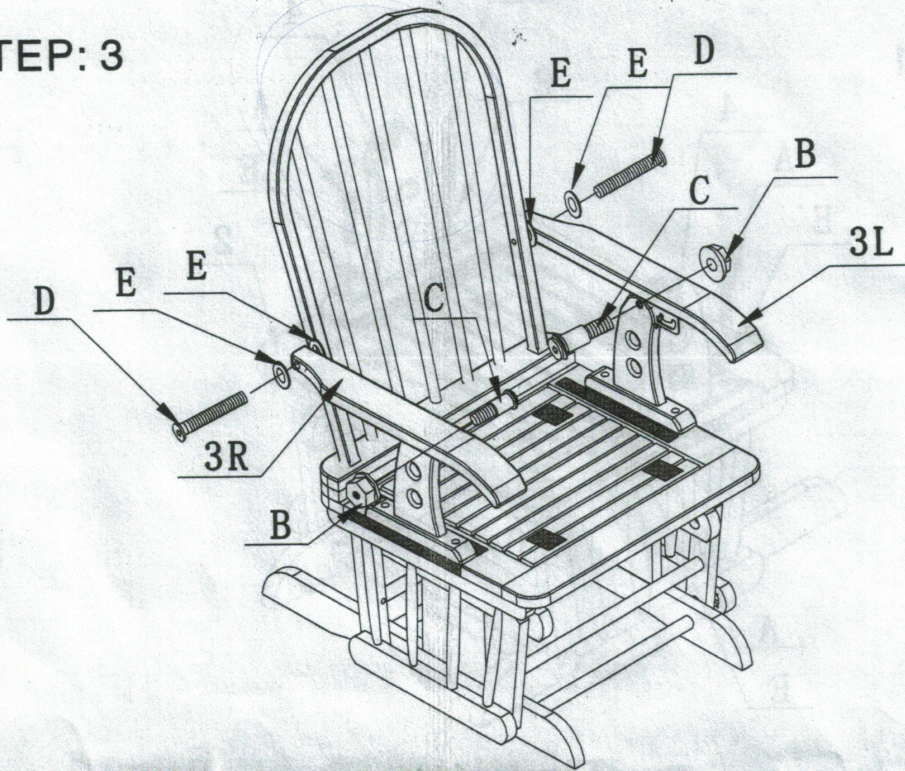
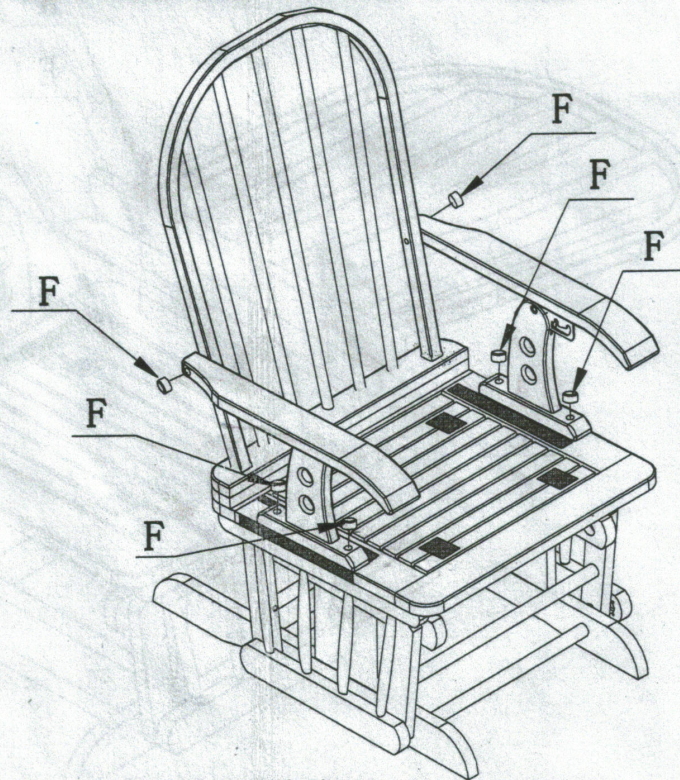


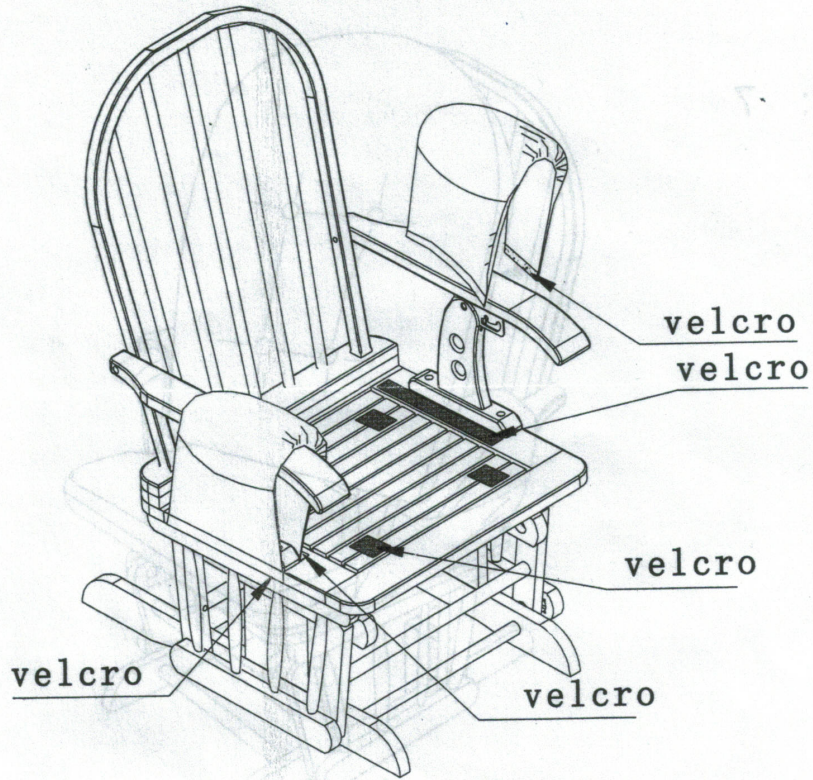
Figure (3)

STEP: 4



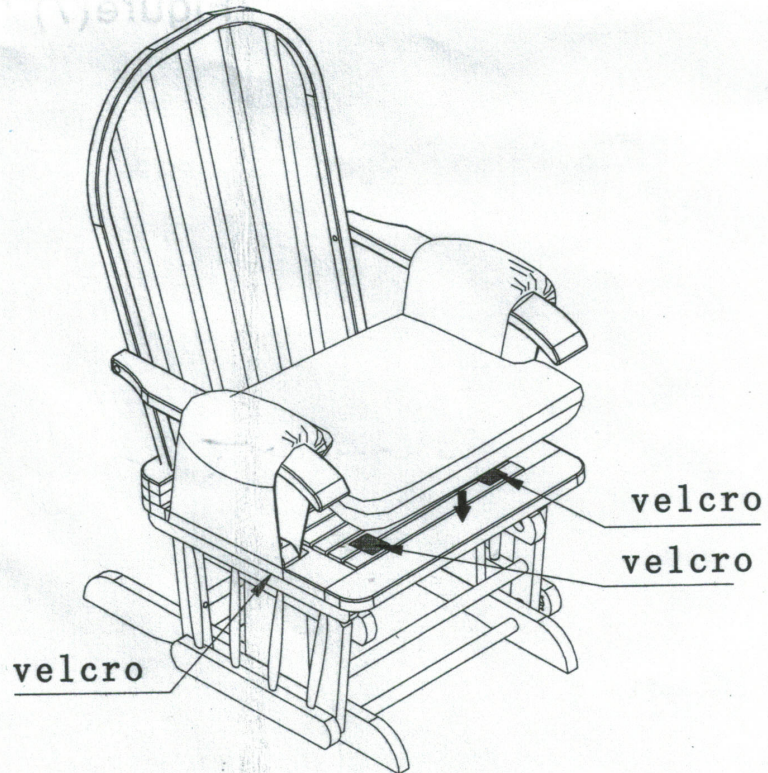
Figure(4)

STEP: 5



Figure(5)

STEP: 6



Figure(6)